



CORPORATE & SALES OFFICE: GSTIN NO. 06AAEFN3352Q1ZX

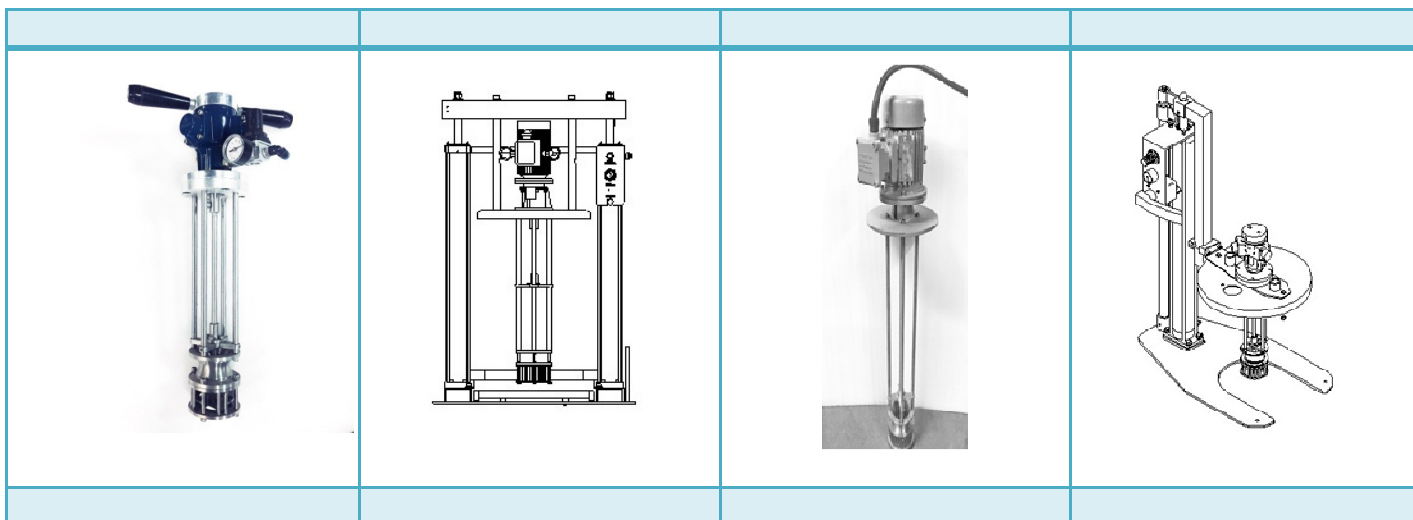
12/2 Main Road, Opp. Lumax Automotive Systems Ltd., Near Sec-37 modh, Faridabad-121003 Haryana
Direct Line No. 0129-4083366, 4086633, E-mail - info@nationalenterprises.org, sales@nationalenterprises.org ;

Website : www.nationalenterprises.org ; www.shotblastingpainting.in

Mfgs. of : Industrial Blast Rooms, Airless & Air Operated Abrasive Blasting Machines, Shot Peening Plants, Dust Collectors, Painting Equipment & Booth

TURBINE PNEUMATIC STIRRER SERIES

- Turbine stirrer is rotary mixing stirrer driven by waterproof or EX- rated electric motors with gear box / pneumatic motors (smaller versions).
- The rotary motion of the drive motor transmitted to the turbines blade which provides an efficient crushing and mixing of the product due to its unique blade construction.
- Mixing by such turbine stirrer can be used for all kinds of liquid and semi-liquid products (at the beginning).
- The turbine blade designs are such which eliminate any vortex effect, consequently avoiding any inclusion of bubbles.
- Especially, suitable in dissolving, dispersing and crushing of particulates.
- Such stirrers are provided with an option to be mounted on a pneumatic hoist (for 20 /200 ltr pail) for ease in operation and can be used to mix varying quantity of product in standard pails.
- Major advantage is the blending is possible within minutes, over a conventional agitator which would take couple hours for proper quality mixing.
- Major applications are for proper blending of paints before applications, glue mixing in water in paper industries, mixing of resins in ink base manufactures etc.



PUNE REGIONAL OFFICE : Plot No. 81, Sector No. 10, PCNTDA, Bhosari Pune 411026 Maharashtra

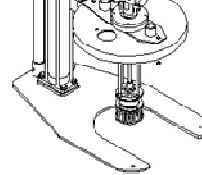
Mob +91 971896-3333 / +91 9873770-333 / +91 971838-3333 / +91 9654700-333

Email - pune@nationalenterprises.org PUNE GSTIN NO. 27AAEFN3352Q1ZT

Registered Office: A-1708, 1st & 2nd Floor, Road No. 89, Green Fields, Faridabad – 121003 Ph No. 0129 -2512666

Works: Khasra No. 41/5, Suraj Nagar, Guda Road, Jhalamand, Jodhpur – 342013

Sales & Service Network * Faridabad *Pune *Jodhpur *Ahmedabad *Ludhiana * Kolkata *Chennai



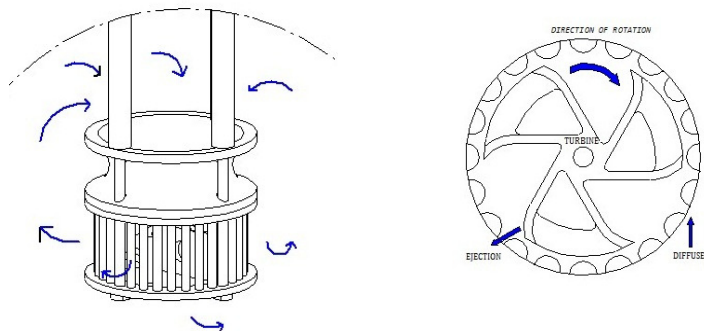
CORPORATE & SALES OFFICE: GSTIN NO. 06AAEFN3352Q1ZX

12/2 Main Road, Opp. Lumax Automotive Systems Ltd., Near Sec-37 modh, Faridabad-121003 Haryana
Direct Line No. 0129-4083366, 4086633, E-mail - info@nationalenterprises.org, sales@nationalenterprises.org ;

Website : www.nationalenterprises.org ; www.shotblastingpainting.in

Mfgs. of : Industrial Blast Rooms, Airless & Air Operated Abrasive Blasting Machines, Shot Peening Plants, Dust Collectors, Painting Equipment & Booth

TURBINE PNEUMATIC STIRRER SERIES



Construction:

- All wetted parts are made of standard steel or stainless steel.
- Electrical motors are IS standard (IP55 rated)
- Optional small Laboratory application stirrers with pneumatic motors.
- Pneumatic actuated hoist units for standard drum pails available separately.

Stirrer classification:

- Hand held Stirrer.(for low viscous paints, lab applications)
- Pneumatic motor driven stirrer with single post hoist (20/25/50 ltr pail) (automated lifting of stirrer)
- Electrically driven stirrer on twin post hoist (20/150/200 ltr pails) (for high viscous material)

Available Turbine blade sizes:

- TB-70 (best suited for hand held stirrers for smaller pails)
- TB-110 (Medium duty blade suited to fit on tanks covers)
- TB-150 (Medium duty blade suited with 200Ltr hoists)
- TB-180 (Heavy duty blade suited with 200 Ltr hoist)

PUNE REGIONAL OFFICE : Plot No. 81, Sector No. 10, PCNTDA, Bhosari Pune 411026 Maharashtra

Mob +91 971896-3333 / +91 9873770-333 / +91 971838-3333 / +91 9654700-333

Email - pune@nationalenterprises.org PUNE GSTIN NO. 27AAEFN3352Q1ZT

Registered Office: A-1708, 1st & 2nd Floor, Road No. 89, Green Fields, Faridabad – 121003 Ph No. 0129 -2512666

Works: Khasra No. 41/5, Suraj Nagar, Guda Road, Jhalamand, Jodhpur – 342013

Sales & Service Network * Faridabad *Pune *Jodhpur *Ahmedabad *Ludhiana * Kolkata *Chennai